

Product Features and Specifications

FA5i Infinity Series Winch - Capacity: 11,000 lbs (5 000 kg)

PFS-FA5i-09072010

Rugged Compact and Versatile Design

- Meets ANSI / ASME B30.7
- 5:1 design factor at rated load
- Top layer rated line pull
- "Lift to shift" winch mounted lever throttle
- Minimum 18:1 drum diameter to wire rope diameter ratio
- Compact gearbox-in-drum design
- Standard design temperature range is 0°C through 60°C
- Group of mechanism as per FEM: 5m
- Pre-certified lifting lugs

Suitable for Hazardous Explosion Proof Environments

- Flameproof by design. Air motors (unlike electric motors) are inherently spark resistant.
- ATEX classification (as per directive EC 94/9/EEC). CE compliant models marked EX II 2 GD c 200°C X

Powerful Radial Piston Air Motor

- Positive starting torque
- Infinitely variable speeds with precision spotting control
- Superior reliability in harsh environments

Brake Systems

- Manual drum brake standard
- Optional auto drum brake and /or auto disc available
- Fully enclosed automatic oil bath "wet" disc brake sealed against moisture and contaminants
- **Ingersoll Rand recommends the use of automatic brakes whenever a winch is used for lifting**

CE compliant versions provided with:

- Drum guard
- Overload protection (preset regulator)
- Emergency stop
- Muffler
- Automatic brake
- Limit switches
- CE documentation



FA5i with optional Drum Guard, Limit Switch, Drum Lock, Filter, Regulator, Lubricator and Muffler

Options and Accessories

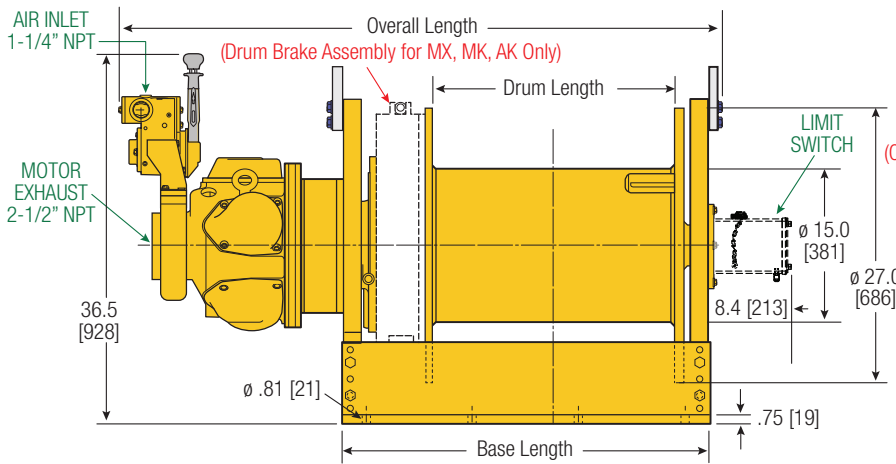
- DNV & ABS Type Approved models available
- Low temperature versions
- Overload and E-stop control system
- Remote controls
- Limit switches
- Tensioning manifold
- Drum guards*
- Grooved drums
- Drum divider flanges
- Drum locks
- Spooling devices
- Marine paint systems
- Air line accessories

* **Ingersoll Rand recommends using Drum Guards with all winches to prevent inadvertent contact with winch moving parts**

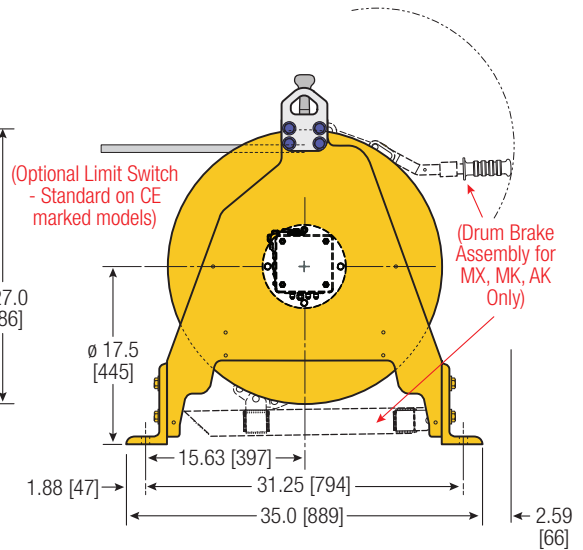
Product Features and Specifications

FA5i Infinity Series Winch - Capacity: 11,000 lbs (5000 kg)

PFS-FA5i-09072010



- FA5i-16**1 (MX) = Manual drum brake only
- FA5i-24**1 (MK) = Manual drum & auto disc brakes
- (AK) = Automatic drum & auto disc brake
- (XK) = Disc brake only

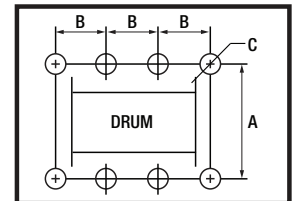


Dimensions shown are inches.
Dimensions in Brackets [] are mm.
Dimensions are subject to change.
Contact factory for certified drawings.

Dimensions: FA5i and Bolt Down Pattern

	Drum Length 16" [406 mm]				Drum Length 24" [610 mm]							
	Drum & Disc Brakes (MK & AK)		Disc Brake Only (XK)		Drum Brake Only (MX)		Drum & Disc Brakes (MK & AK)		Disc Brake Only (XK)		Drum Brake Only (MX)	
	in	mm	in	mm	in	mm	in	mm	in	mm	in	mm
Overall Length	51.6	1311	47.4	1204	48.6	1234	59.6	1514	55.4	1407	56.6	1438
Base Length	28.34	720	23.84	605	28.34	720	36.34	923	31.84	809	36.34	923
'A'	31.25	794	31.25	794	31.25	794	31.25	794	31.25	794	31.25	794
'B'	9.0	229	6.25	159	9.0	229	10.5	267	9.0	229	10.5	267
'C'	0.81	21	0.81	21	0.81	21	0.81	21	0.81	21	0.81	21
Total # Holes	6		6		6		8		8		8	

Bolt Down Pattern



'C' = Bolt Hole Inside Diameter

Model #	Lift Ratings at 5:1 Design Factor (Performance at 6.3 Bar - 90 PSI at air inlet when winch is operating)															
	Top Layer				First Layer				Average Air Consumption ⁽¹⁾	Sound Level ⁽²⁾	Inlet Size	Exhaust Size	Net Weight			
	hp	Rated Capacity lbs	Rated Capacity kg	Speed ft/min	Speed m/min	Speed at ft/min	Speed at m/min	Stall Pull lbs						Stall Pull kg		
FA5i	25.2	11,000	5000	54	16	51	16	23,594	10725	700	20	97	1-1/4"	2-1/2"	1,872	849

(1) Average Air Consumption is at rated load and speed at top layer (2) With optional muffler

Series	Rated capacity lbs	Rope Diameter in	Min Req Break Strength* lbs	Accumulated rope capacity in feet / number of layers																
				1	2	3	4	5	6	7	8	9	10	11	12	13	14			
				FA5i-16	11,000	3/4	55,000	84	175	274	381	495	617	746	883					
		7/8	55,000	72	151	238	332	434	544	661										
FA5i-24	11,000	3/4	55,000	128	267	418	581	755	940	1,138	1,346									
		7/8	55,000	110	231	364	508	664	832	1,010										

Series	Rated capacity kg	Rope Diameter mm	Min Req Break Strength* kg	Accumulated rope capacity in meters / number of layers																
				1	2	3	4	5	6	7	8	9	10	11	12	13	14			
				FA5i-16	5000	19	24948	26	53	84	116	151	188	227	269					
		22	24948	22	45	72	100	131	164	199										
FA5i-24	5000	19	24948	39	81	127	177	230	287	347	410									
		22	24948	33	69	110	153	200	251	305										

* Note: The Minimum Required Breaking Strength for the wire rope needs to be the Rated Capacity multiplied by the Design Factor.
Example: for the FA5i-16 (with a 5:1 Design Factor) 11,000 x 5 = 55,000 lbs.