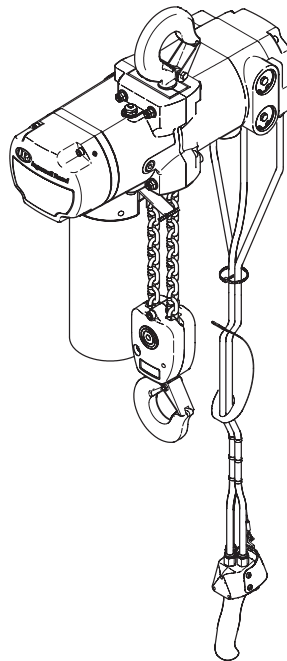


Product Parts Information



Compact Lift Air Chain Hoist Models CL125K, CL250K and CL500K



(Dwg. MHP2967)



Save These Instructions



Form MHD56407

Edition 1

January 2010

45550191

© 2010 Ingersoll-Rand Company

Only allow **Ingersoll Rand** trained Technicians to perform maintenance on this product. For additional information contact **Ingersoll Rand** factory or nearest Distributor.

For additional supporting documentation refer to Table 1 on page 2 for Product Information Manuals. Manuals can be downloaded from www.ingersollrandproducts.com.

The use of other than genuine **Ingersoll Rand** replacement parts may result in safety hazards, decreased performance and increased maintenance and will invalidate all warranties.

The original language of this manual is English.

Refer all communications to the nearest **Ingersoll Rand** Office or Distributor.

Table 1: Product Manuals

Publication	Part/Document Number	Publication	Part/Document Number
Product Safety Manual	MHD56295	Product Maintenance Information Manual	MHD56408
Product Information Manual	MHD56406		

TABLE OF CONTENTS

Description	Page No.	Dwg. Name	Page No.
Parts Ordering Information.....	3		
Hoist Body and Top Hook Assembly Drawing	4	(Dwg. MHP2951)	4
Hoist Body and Top Hook Assembly Parts List	5		
Reduction Gear and Brake Assembly Drawing.....	6	(Dwg. MHP2953)	6
Reduction Gear and Brake Assembly Parts List.....	7		
Valve and Motor Assembly Drawing.....	8	(Dwg. MHP2952)	8
Valve and Motor Assembly Parts List.....	9		
Pendant Assembly Drawing.....	10	(Dwg. MHP2916 and MHP3106)	10
Pendant Assembly Parts List.....	11		
Pendant Hose Connection Assembly Drawing and Parts List	12	(Dwg. MHP2957)	12
Bottom Hook Assembly Drawing and Parts List	13	(Dwg. MHP2961 and MHP2969)	13
Chain Container Assembly Drawing and Parts List	14	(Dwg. MHP2788)	14

PARTS ORDERING INFORMATION

These products are designed and constructed to provide long, trouble-free service. In time it may be necessary to order and install new parts to replace those that have been subjected to wear.

For your convenience and future reference it is recommended that the following information be recorded.

Model Number _____

Serial Number _____

Date Purchased _____

When ordering replacement parts, please specify the following:

1. Complete model number and serial number as it appears on the data (name) plate.
2. Part number(s) and part description as shown in this manual.
3. Quantity required.

The data (name) plate is located on the product.

NOTICE

- Continuing improvement and advancement of design may cause changes to this equipment which are not included in this manual. Manuals are periodically revised to incorporate changes. Always check the manual edition number on the front cover for the latest issue.
- Sections of this manual may not apply to your product.
- Using other than genuine Ingersoll Rand replacement parts will invalidate the warranty.

■ Return Goods Policy

Ingersoll Rand will not accept any returned goods for warranty or service work unless prior arrangements have been made and written authorization has been provided from the location where the goods were purchased.

Products which have been modified without **Ingersoll Rand** approval, mishandled or overloaded will not be repaired or replaced under warranty. A printed copy of the warranty which applies to this product is provided inside the Product Information Manual.

■ Disposal

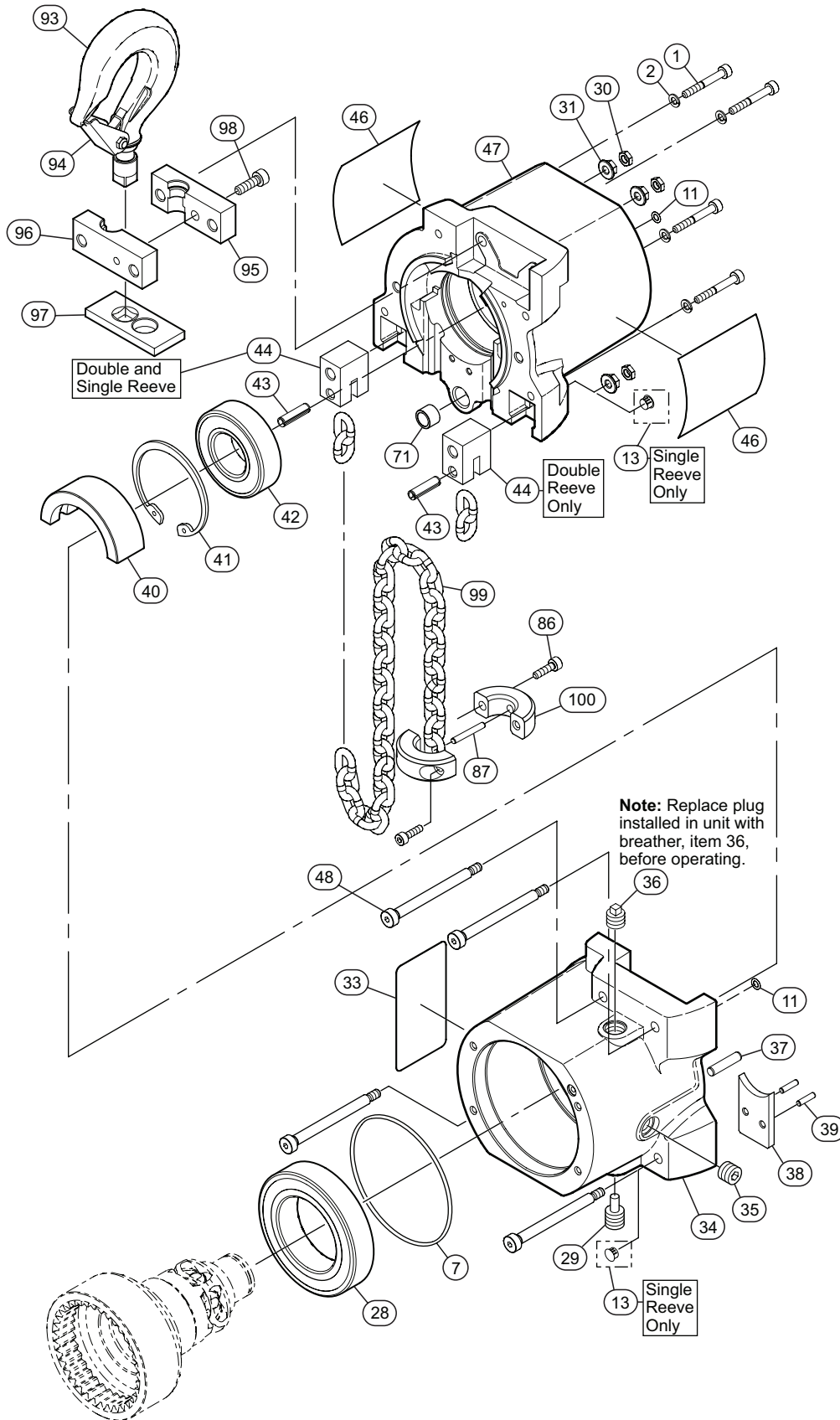


When the life of the product has expired, it is recommended that it be disassembled, degreased and parts separated as to materials so that they may be recycled.

For additional information contact:

www.ingersollrandproducts.com

HOIST BODY AND TOP HOOK ASSEMBLY DRAWING



(Dwg. MHP2951)

HOIST BODY AND TOP HOOK ASSEMBLY PARTS LIST

Item No.	Description of Part	Total Qty	Part Number	Item No.	Description of Part	Total Qty	Part Number
1	Capscrew	4	119M2A132B	43	Spring Pin (125 / 250 kg)	1	200M13S133PL
2	Lockwasher	4	500M5EG7B		Spring Pin (500 kg)	2	
• 7	'O' Ring	1	309M11BN2X75	44	Attachement Link (125 / 250 kg)	1	CL250K-224
• 11	'O' Ring	2	309M11BN15X3		Attachement Link (500 kg)	2	
13	Plug (125 / 250 kg)	2	301A11PS27	47	Motor Housing	1	CL250K-40
28	Bearing	1	CLK250K-988	48	Shoulder Screw (125 / 250 kg)	3	121M2A418BK
29	Drain Plug	1	150T-29		Shoulder Screw (500 kg)	4	
30	Jam Nut (125 / 250 kg)	3	19M4JS7M3	71	Bushing	1	212M19SB08X11X08
	Jam Nut (500 kg)	4		86	Capscrew	2	119M2A701B
31	Nut, Flanged (125 / 250 kg)	3	502M4AB01M3	87	Dowel Pin	1	17M13B195
	Nut, Flanged (500 kg)	4		93	Upper Hook Assembly (includes item 94)	1	CL250K-377
33	Label, Warning	1	MTK-147				
34	Gear Housing	1	CL250K-140				
35	Pipe Plug	1	R2-227	94	Hook Latch Assembly	1	CL250K-2DS0D1
36	Breather (Note 1)	1	CL250K-188	95	Hook Block, Right	1	CL250K-378B
37	Dowel Pin	2	17M13B239	96	Hook Block, Left	1	CL250K-378A
38	Splitter	1	CL250K-485	97	Plate, Alignment	1	CL250K-55
39	Dowel Pin	2	17M13B158	98	Capscrew	1	119M2A159B
40	Chain Guide	1	CL250K-6	99	Chain	*	CL250K-745
41	Retainer Ring	1	161M13N52P1	100	Chain Stop Kit (includes 86 & 87)	1	CL250K-K80
42	Bearing	1	26A19X2052RSHABEC1				

Capacity Label Chart:

Item No.	Description of Part	Total Qty	Part Number		
			CL125K	CL250K	CL500K
46	Capacity Label	2	CL125K-5-99	CL250K-5-99	CL500K-5-99

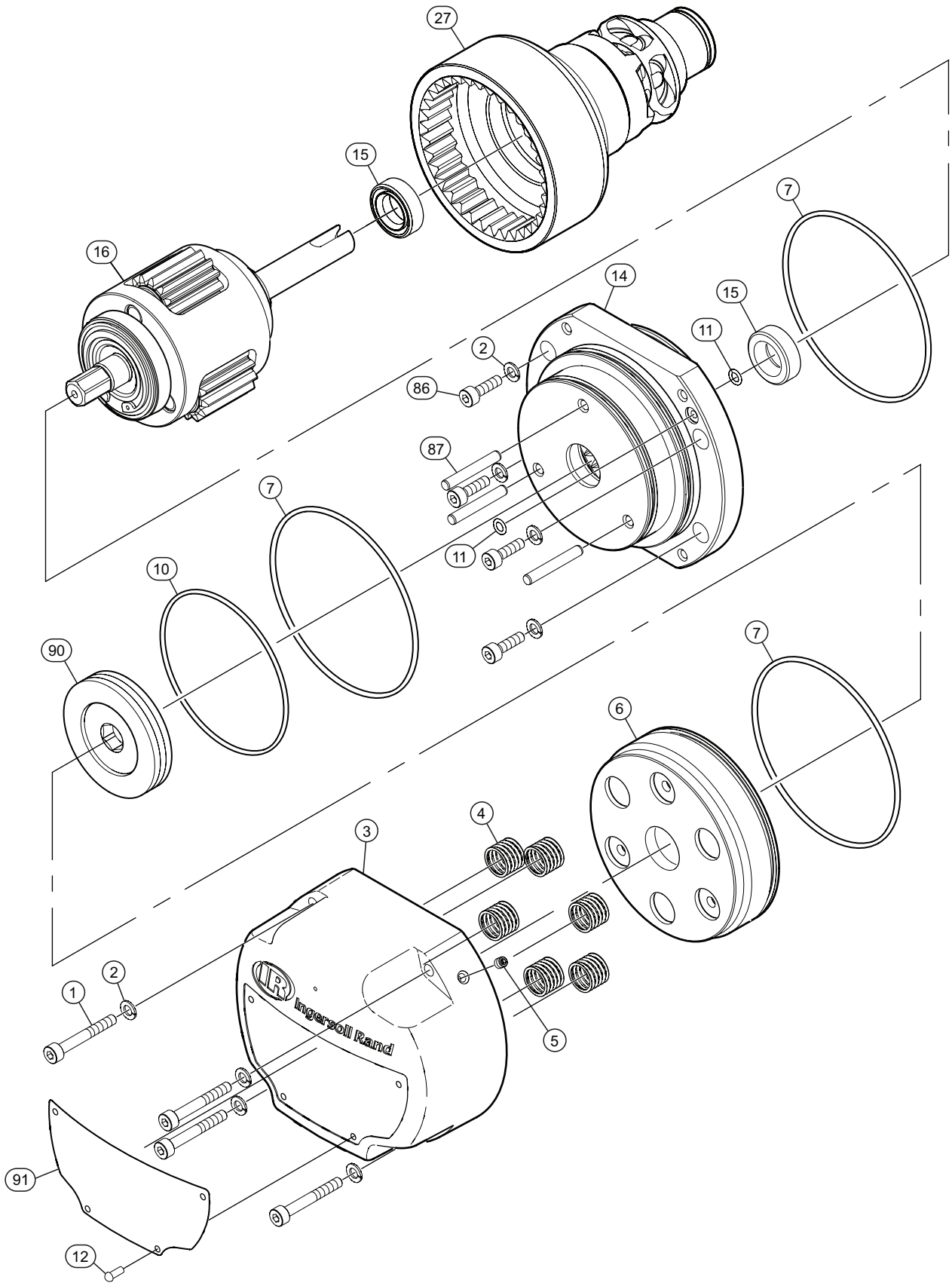
- Recommended Spares

* Specify length as required, order in ft, specify single or double reeve.

** Item Hook Latch Assembly is used on both top and bottom hooks.

Note 1: Replace plug (Y17-10-C) shipped with product, with Breather item (36).

REDUCTION GEAR AND BRAKE ASSEMBLY DRAWING



(Dwg. MHP2953)

REDUCTION GEAR AND BRAKE ASSEMBLY PARTS LIST

Item No.	Description of Part	Total Qty	Part Number	Item No.	Description of Part	Total Qty	Part Number
1	Capscrew	4	119M2A132B	12	Rivet	4	Y60-44
2	Lockwasher	8	500M5EG7B	14	Gear Case	1	CL250K-37
3	Piston Housing	1	CL250K-395	15	Seal	2	308M11N01
4	Spring	6	CL250K-832	16	Gear Frame Assembly	1	CL250K-A8
5	Setscrew	1	107M2K104	27	Pocket Wheel	1	CL250K-740
6	Piston	1	CL250K-809	86	Capscrew	4	119M2A701B
7	'O' Ring	3	309M11BN2X75	87	Dowel Pin	3	17M13B195
10	'O' Ring	1	309M11BN2X65	90	Brake Disc Assembly	1	CL250K-A834
11	'O' Ring	2	309M11BN15X3	91	Data (Name) Plate	1	Note 1

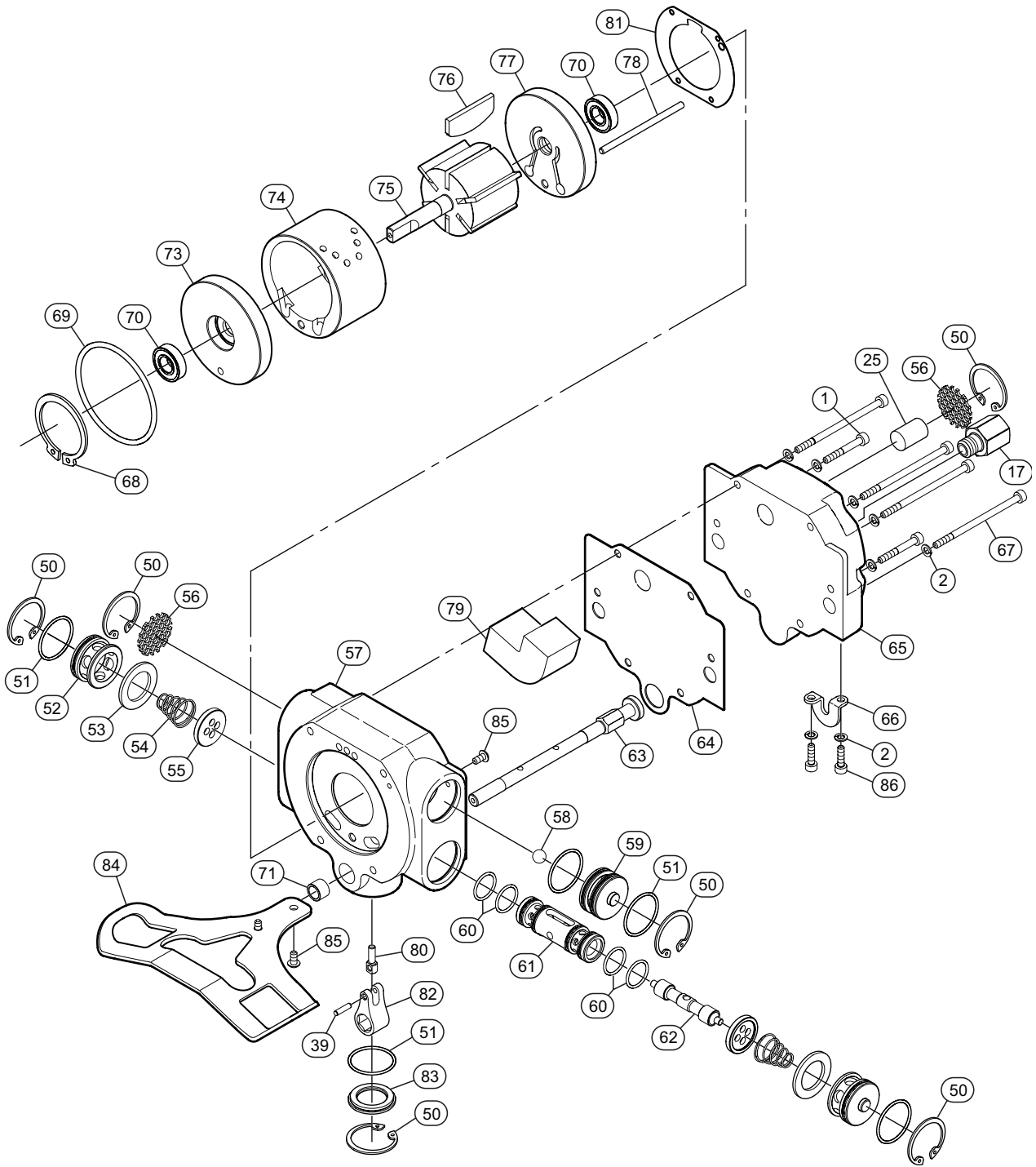
Kit

Item No.	Description of Part	Total Qty	Part Number
• ---	Brake Tune-up Kit (Includes items 4, 7, 10, 11, and 90)	1	CL250K-TK834

• Recommended Spares

Note 1: Serial and model number is required for replacement orders of Data (Name) Plate, item (91).

VALVE AND MOTOR ASSEMBLY DRAWING



(Dwg. MHP2952)

VALVE AND MOTOR ASSEMBLY PARTS LIST

Item No.	Description of Part	Total Qty	Part Number	Item No.	Description of Part	Total Qty	Part Number
1	Capscrew	2	119M2A132B	66	Support	1	MLK-450
2	Lockwasher	8	500M5EG7B	67	Capscrew	4	119M2A140B
17	Inlet Strainer	1	CL250K-A465	68	Retainer Ring	1	162M13N25P1
25	Muffler	1	CL250K-311B	69	'O' Ring	1	309M11BN3X60
39	Dowel Pin	1	17M13B158	70	Bearing	2	CL250K-24
50	Retainer Ring	6	161M13N28P1	71	Bushing	1	212M19SB08X11X08
51	'O' Ring	5	309M11BN15X25	73	Endplate, Front	1	CL250K-11
52	Inlet Cap	2	CL250K-238	74	Cylinder	1	CL250K-3
53	Buffer	2	CL250K-50	75	Rotor	1	CL250K-53
54	Spring	2	CL250K-250	76	Blade	6	CL250K-42
55	Washer	2	CL250K-248	77	Endplate, Rear	1	CL250K-12
56	Muffler Screen	2	CL250K-310	78	Dowel Pin	1	CL250K-98
57	Valve Chest	1	CL250K-241	79	Muffler	1	CL250K-311A
58	Ball	1	309A11N08	80	Pivot Arm, Upper	1	CL250K-251
59	Shuttle Valve Cartridge	1	CL250K-302	81	Gasket	1	CL250K-292
60	'O' Ring	4	309M11BN15X135	82	Pivot Arm, Lower	1	CL250K-254
61	Valve Cartridge	1	CL250K-347	83	Valve Cap	1	CL250K-943
62	Valve	1	CL250K-346	84	Lever, Limit Switch	1	CL250K-222
63	Shaft, Limit Switch	1	CL250K-255	85	Capscrew	3	134M2AA61B
64	Gasket	1	CL250K-283	86	Capscrew	2	119M2A701B
65	Valve Cover	1	CL250K-102				

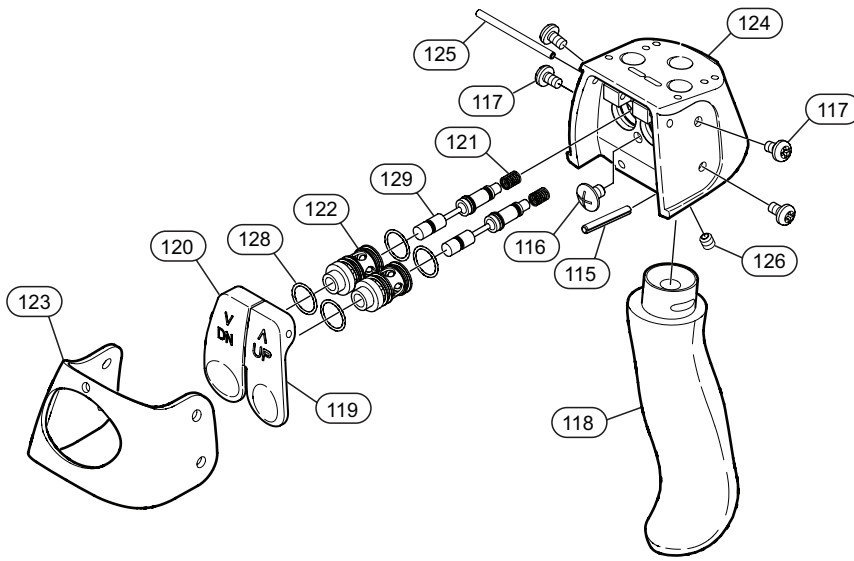
Kit

Item No.	Description of Part	Total Qty	Part Number
• ---	Motor Tune-up Kit (Includes items 25, 54, 64, 69, 70, 76, 79 and 81)	1	CL250K-TK53

• Recommended Spares

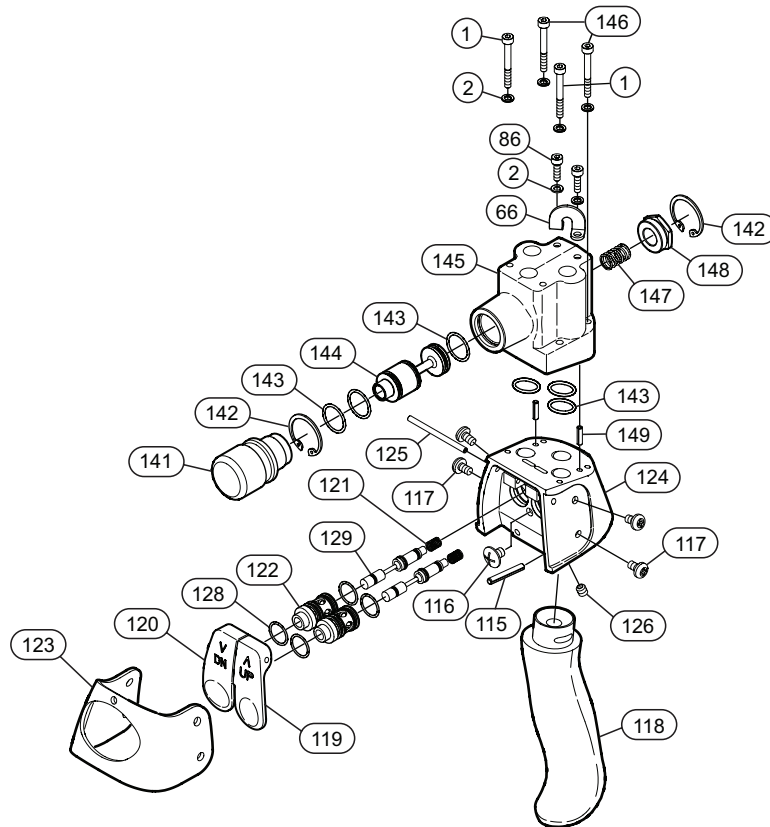
PENDANT ASSEMBLY DRAWING

Pendant without Emergency Stop



(Dwg. MHP2916)

Pendant with Emergency Stop



(Dwg. MHP3106)

PENDANT ASSEMBLY PARTS LIST

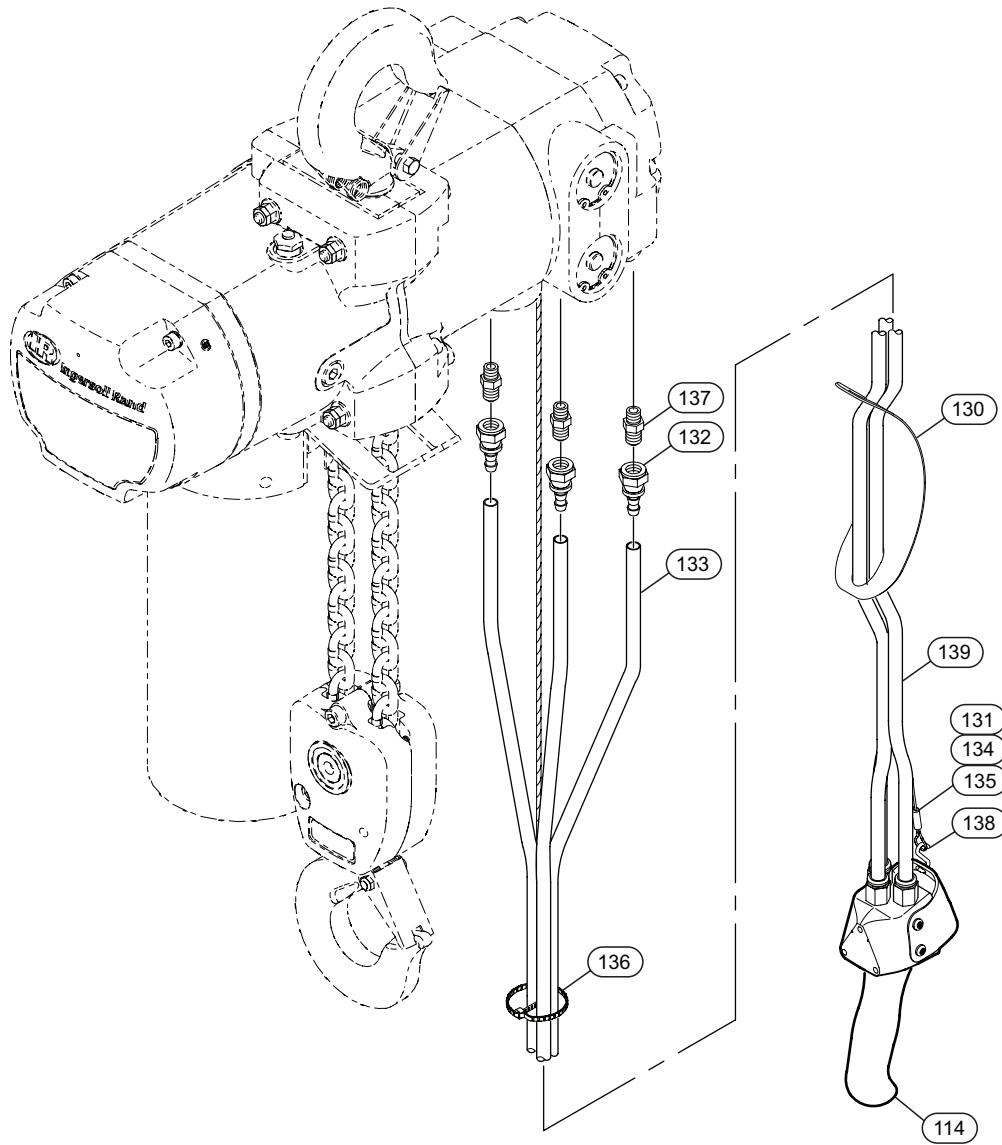
Item No.	Description of Part	Total Qty	Part Number	
			Standard	Optional Emergency Stop Kit
114	Pendant Assembly	1	45648177	45667359
1	Capscrew	2	---	N/A
2	Lockwasher	6	---	500M5EG7B
66	Strain Relief Support	1	---	MLK-450
86	Screw	2	---	119M2A701B
115	Roll Pin	1	N/A	
116	Screw	1		
117	Capscrew	4		
118	Handle	1		
119	Lever, Down	1		
120	Lever, Up	1		
121	Spring	2		
122	Valve Bushing	2		
123	Guard	1		
124	Housing	1		
125	Spring Pin	1		
126	Setscrew	1		
128	'O' Ring	4		
129	Valve	2		
141	Actuator Button	1	---	45651700
142	Retainer Ring	2		N/A
143	'O' Ring	6		
144	Valve	1		
145	Valve Block	1		
146	Capscrew	2		
147	Spring	1		
148	Valve Cap	1		
149	Pin	2		

Kits

Item No.	Description of Part	Total Qty	Part Number
• ---	Pendant Tune-up Kit without Emergency Stop (Includes items 121, 122, 125, 128, and 129)	1	45665585
• ---	Emergency Stop Tune-up Kit (Includes items 143 and 147)	1	47083548
---	Emergency Stop Retro-fit Kit	1	45667391

• Recommended Spares

PENDANT HOSE CONNECTION ASSEMBLY DRAWING AND PARTS LIST



(Dwg. MHP2964)

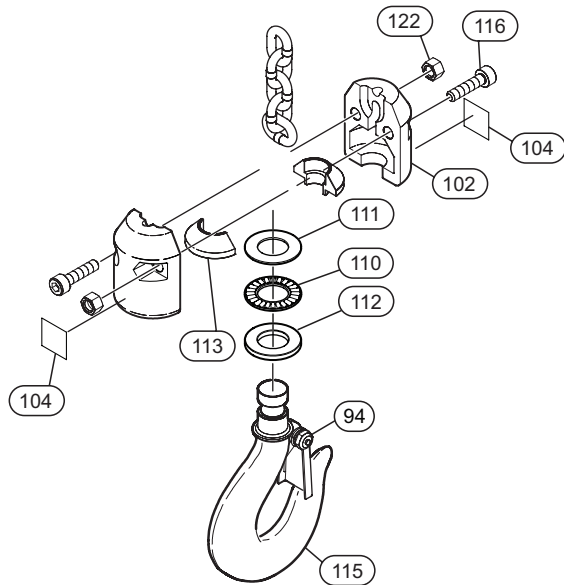
Item No.	Description of Part	Total Qty	Part Number	Item No.	Description of Part	Total Qty	Part Number
114	Pendant	1	45648177	135	Strain Relief Eye	2	31477
130	Warning Tag	1	04612776	136	Cable Tie	**	44560
131	Strain Relief Cable	*	33323-XXX-X	137	Adapter	6	10565
132	Fitting, Swivel	6	53954	138	'S' Hook	1	D02-421
133	Hose	*	BH6C	139	Pendant Hose Assembly ***	*	CL250K-A130-X
134	Strain Relief Clamp	2	32356				

* Length as required. Order in ft (m), maximum length 15 feet.

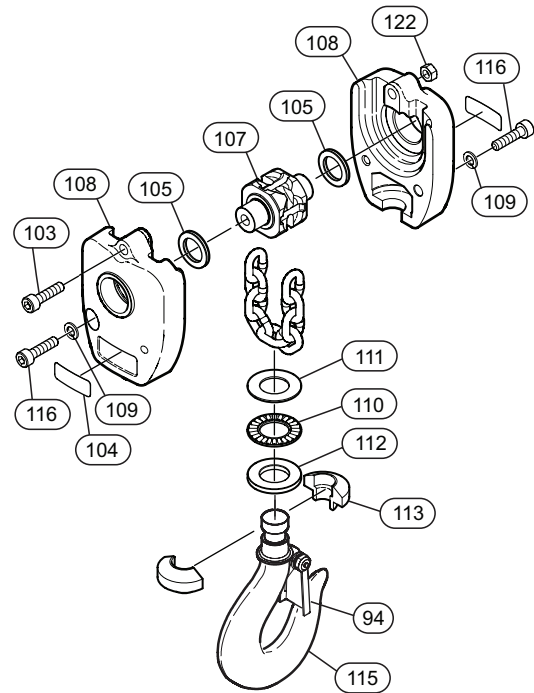
** Order as required; Number of cable ties is 1 less than the total control drop length, example: 6 ft drop requires 5 cable ties.

*** Includes items 130 - 136 and 138.

BOTTOM HOOK ASSEMBLY DRAWING AND PARTS LIST



(Dwg. MHP2961)

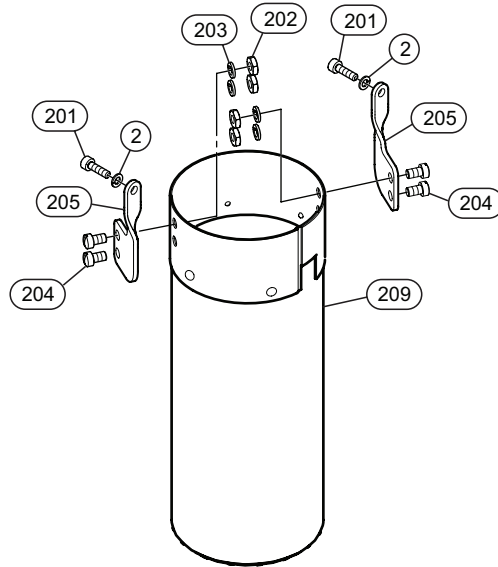


(Dwg. MHP2969)

Item no.	Description of Part	Total Qty	Part Number		
			CL125K	CL250K	CL500K
94	Hook Safety Latch (Bottom)	1**	CL250K-2DS0D1		
102	Bottom Block (Single Reeve)	2	CL250K-463		CL500K-A463
103	Capscrew	1	---		119M2A163B
104	Capacity Tag	2	CL125K-598	CL250K-598	CL500K-598
105	Thrust Washer	2	---		204A19BSXTRA916
107	Pocket Wheel	1	---		CL500K-740
108	Bottom Block (Double Reeve)	2	---		CL500K-A463
109	lockwasher	2	---		500M5C11
110	Needle Bearing	1	209M19X01		
111	Thrust Washer - Thin	1	211M19S11		
112	Thrust Washer - Thick	1	211M19CCS01		
113	Collar	2	CL250K-373		
115	Bottom Hook Assembly (Includes item 94)	1	CL250K-590		
116	Capscrew	2	119M2A160B		119M2A160B
122	Nut	()	16M4JB6B (2)		16M4JB6B (1)

** Hook Latch Assembly is used on both top and bottom hooks.

CHAIN CONTAINER ASSEMBLY DRAWING AND PARTS LIST



(Dwg. MHP2788)

Item No.	Description of Part	Total Qty	Part Number		
			CL125K	CL250K	CL500K
---	Chain Container Assembly (Includes items 2, 201 - 205 and 209)	1	CL250K-K749-20		
		1	CL250K-K749-40		
2	Lockwasher	2	500M5EG7B		
201	Capscrew	2	119M2A701B		
202	Nut	4	Y22-10-C		
203	Washer	4	Y14-10-C		
204	Capscrew	4	Y19-104-C		
205	Bracket	2	CL250K-600		
209	Chain Container (Note 1)	1	CL250K-749-20		
	Chain Container (Note 2)	1	CL250K-749-40		

Note 1: Single Reeve - Up to 20 ft of chain (lift), 125 and 250 kg
 Double Reeve - Up to 10 ft of chain (lift), 500 kg

Note 2: Single Reeve - Up to 40 ft of chain (lift), 125 and 250 kg
 Double Reeve - Up to 20 ft of chain (lift), 500 kg

SERVICE NOTES
